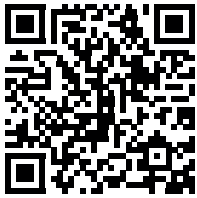




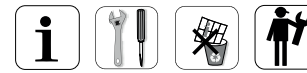
ESBE AB  
Bruksgatan 22  
SE-333 75 Reftele  
www.esbe.eu



ESBE System Units  
**CIRCULATION UNIT Flexi**



Mtrl.nr: 98141114 • Ritn.nr: 7944 vers. A • Rev. 2022-10-27

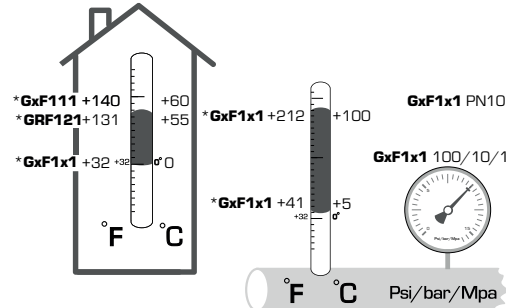


Series GDF111  
Series GFF111

Series GRF111  
Series GRF121

LVD 2014/35/EU  
EMC 2014/30/EU  
RoHS 2011/65/EU  
PED 2014/68/EU, article 4.3  
ErP 2009/125/EU  
ErP 2015  
EnEV 2014

SI 2016 No. 1101  
SI 2016 No. 1091  
SI 2012 No. 3032  
SI 2016 No. 1105  
SI 2010 No. 2617



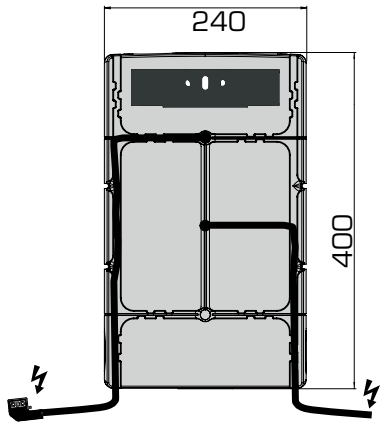
\*consider data for choosen pump



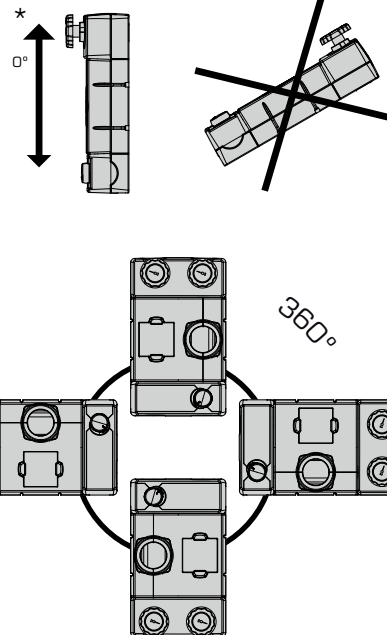
SERIES	FUNCTION
ESBE GDF111	
ESBE GFF111	
ESBE GRF111	
ESBE GRF121	



**Dimensions • Cabling**

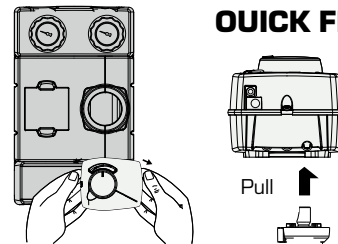


**Mounting position**



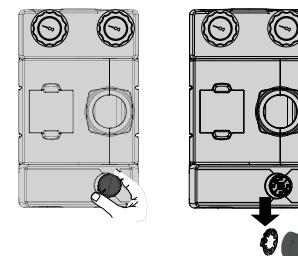
**Remove actuator/controller**

Series GRF121

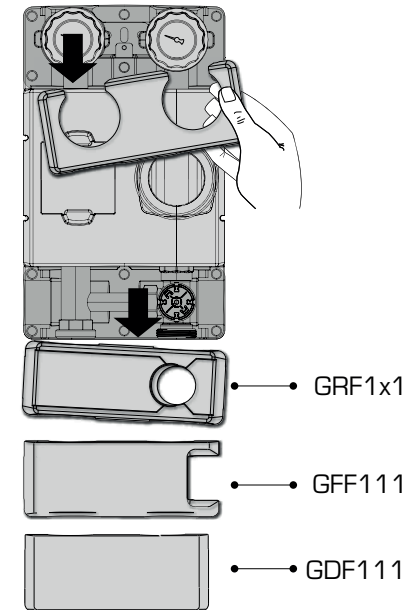


**Remove knob**

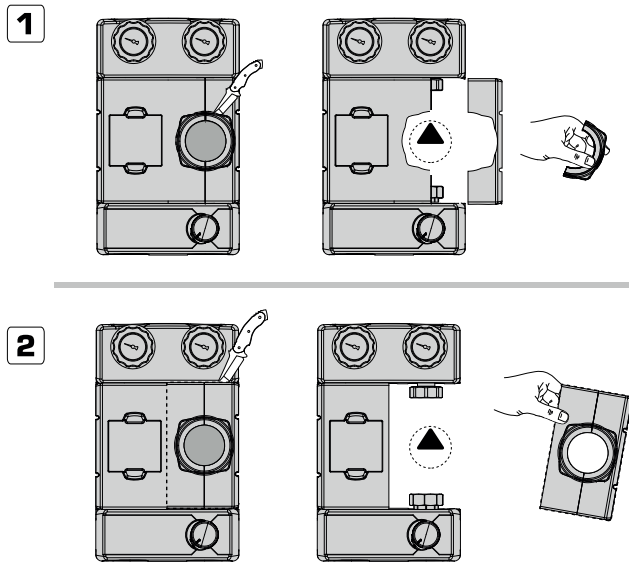
Series GRF111



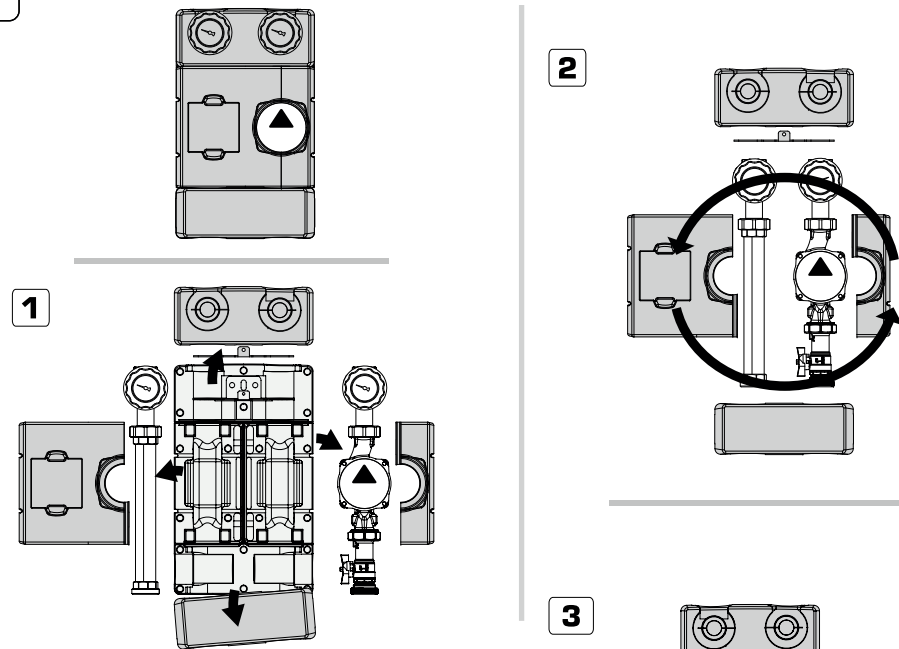
**Remove insulation**



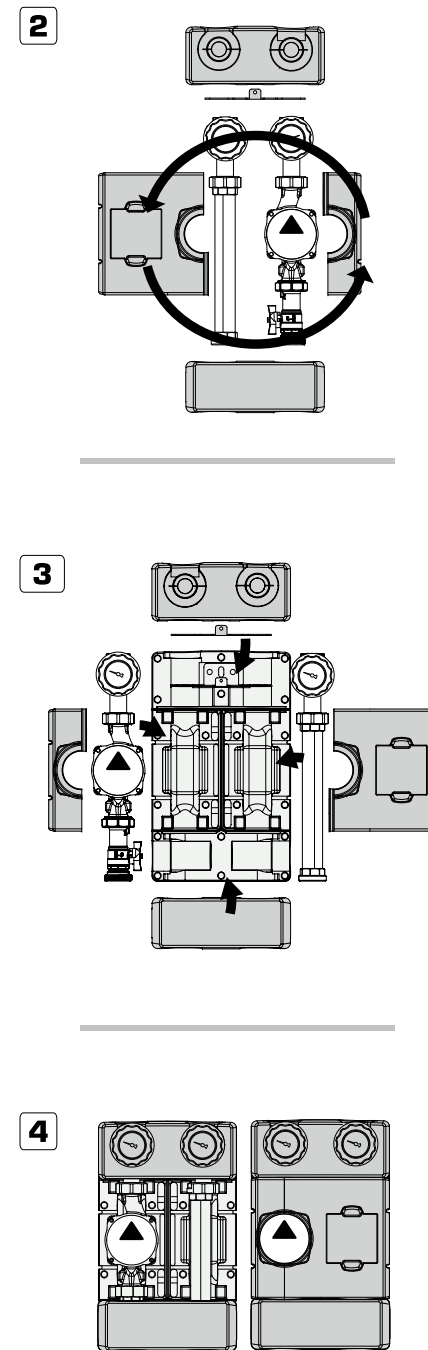
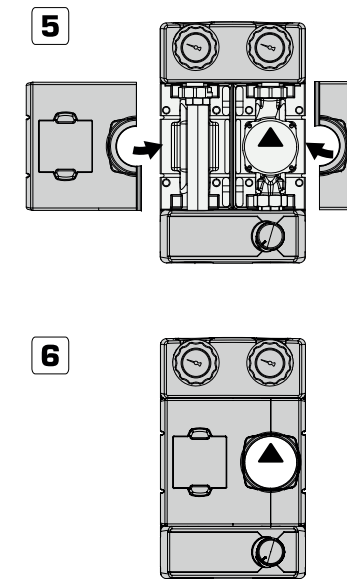
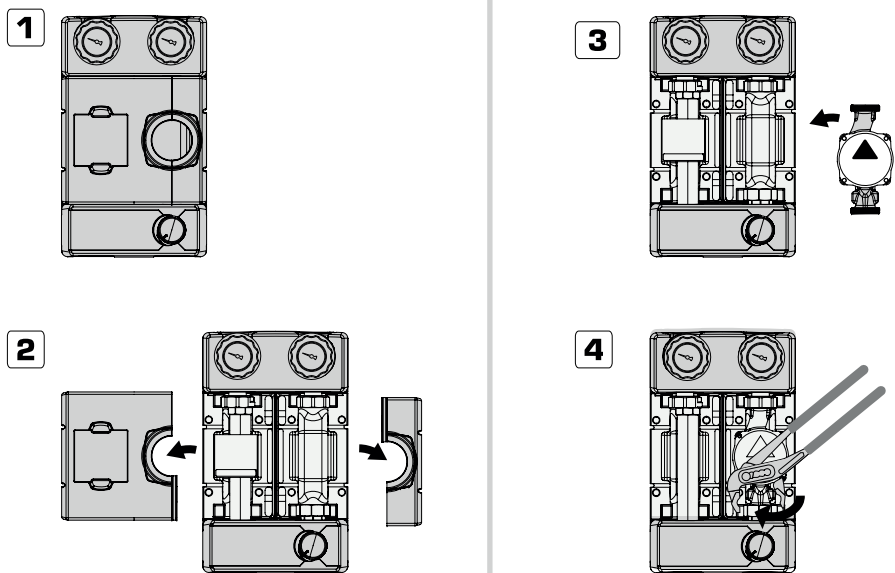
**3** **i** — Examples of possible insulation adjustments



**i** Left - right transition

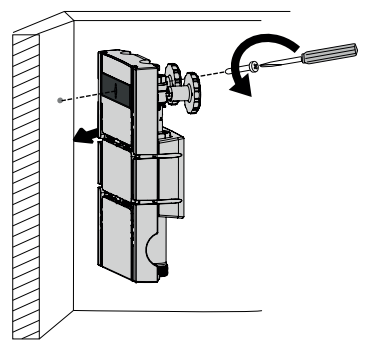


**4** **i** — Example of pump installation



5

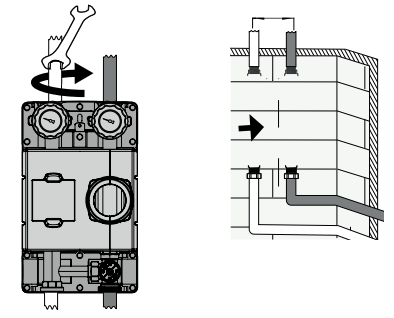
### Assembling on wall



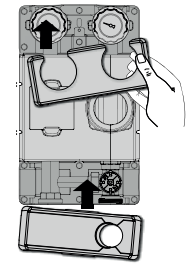
6

### Fit supply pipes

40-50Nm c/c 125mm



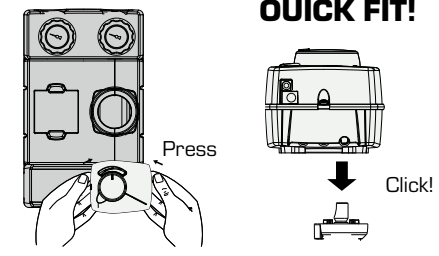
### Assemble insulation



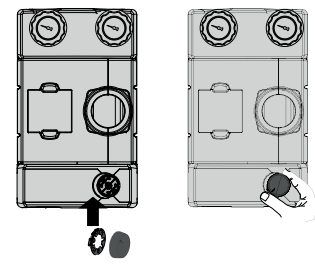
7

### Assemble actuator/controller Series GRF121

#### QUICK FIT!



#### Assemble knob Series GRF111



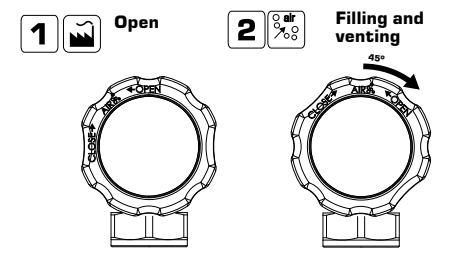
i

### Commissioning

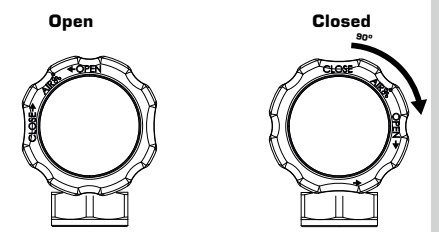
#### Preparation



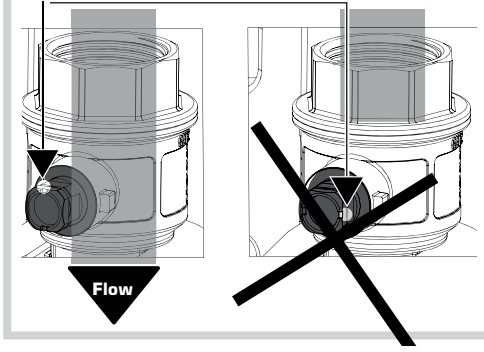
#### Filling and venting



#### Checkvalve position

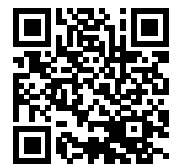
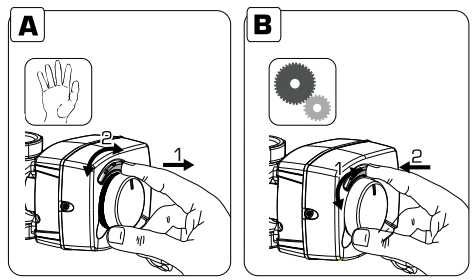


#### White mark position



i

### Commissioning actuator

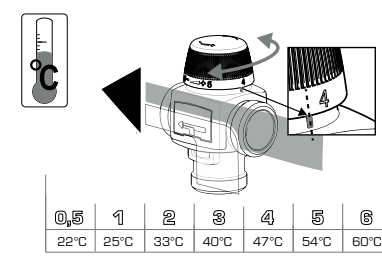


<https://esbe.eu/group/products/rotary-actuators>

i

### Commissioning fixed temperature Series GFF111

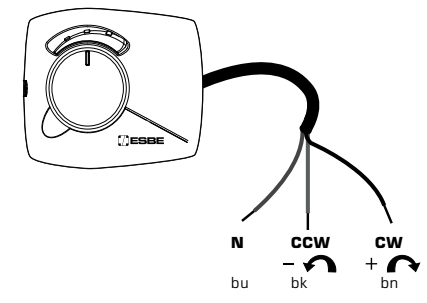
Series GFF111



<https://esbe.eu/group/products/thermostatic-mixing-valves>

i

### Electric installation



N bu    CCW - bk    CW + bn

[www.esbe.eu](http://www.esbe.eu)

8

Expose application info using leaflet

